

General Notes
FOR EDUCATIONAL
PURPOSE ONLY

CONTENTS

- A1 - ISOMETRIC
- A2- PLANS
- A3- PLANS
- A4- ELEVATIONS
- A5- SECTIONS
- A6- DETAILS

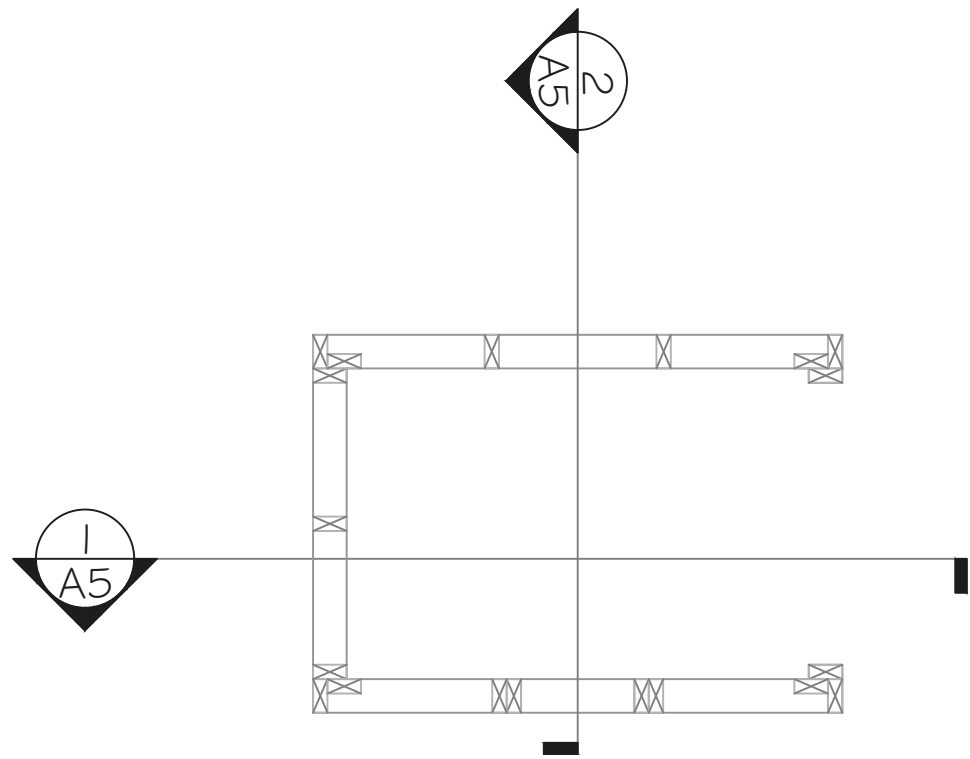
No.	Revision/Issue	Date
1	UPDATED	JAN.25

SKILLS
CANADA

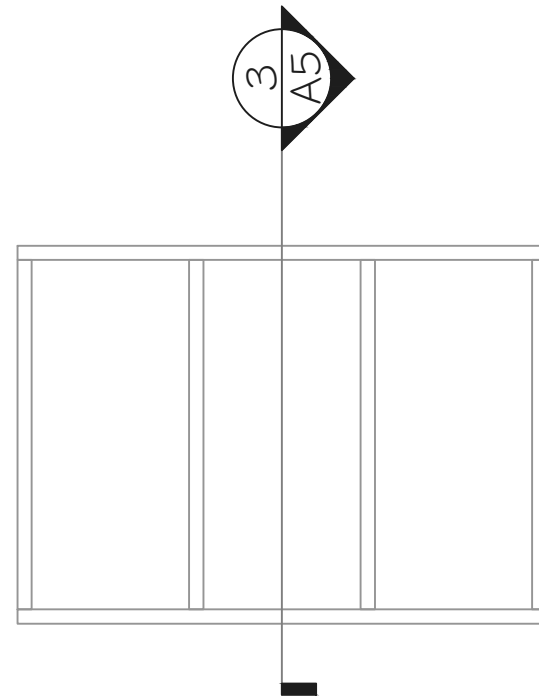
PROVINCIAL
SECONDARY
CARPENTRY

ISOMETRIC

DRAWN BY: DUSTIN OLSEN	SHEET #
DATE: 01/25/2016	A1
SCALE: not to scale	



1 FLOOR PLAN



2 FLOOR JOIST PLAN

General Notes
FOR EDUCATIONAL
PURPOSE ONLY

- 1)
ALL SHEATHING
STOCK TO BE
VERIFIED ON
SITE.
- 2)
ALL DIMENSIONS
TO FRAMING.

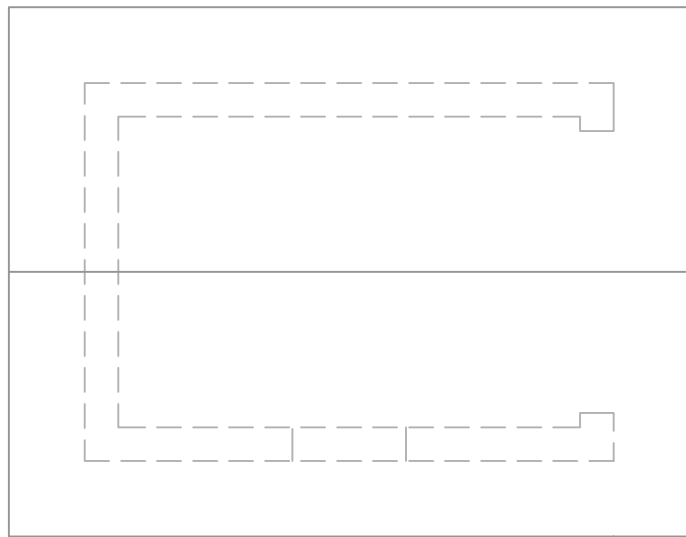
No.	Revision/Issue	Date
1	UPDATE	JAN.25

SKILLS
CANADA

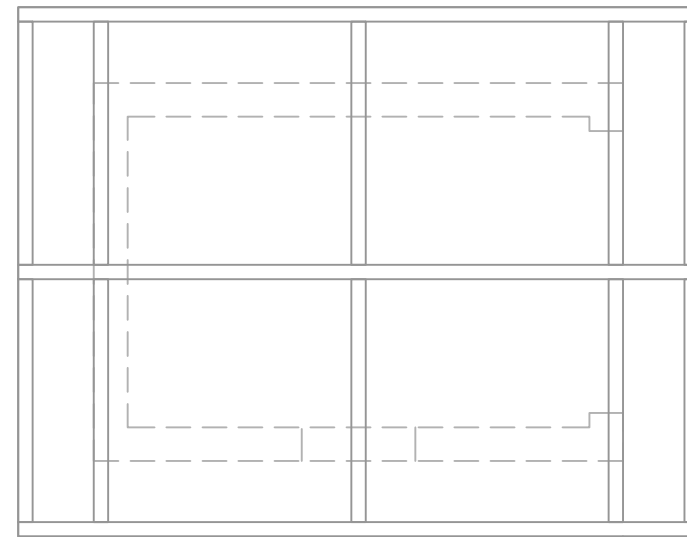
PROVINCIAL
SECONDARY
CARPENTRY

PLANS

DRAWN BY: DUSTIN OLSEN	SHEET #
DATE: 01/25/2016	A2
SCALE: not to scale	



1 ROOF PLAN



2 RAFTER PLAN

General Notes
FOR EDUCATIONAL
PURPOSE ONLY

No.	Revision/Issue	Date
1	UPDATE	JAN.25

SKILLS
CANADA

PROVINCIAL
SECONDARY
CARPENTRY

PLANS

DRAWN BY: DUSTIN OLSEN	SHEET #
DATE: 01/25/2016	A3
SCALE: not to scale	

General Notes
FOR EDUCATIONAL
PURPOSE ONLY

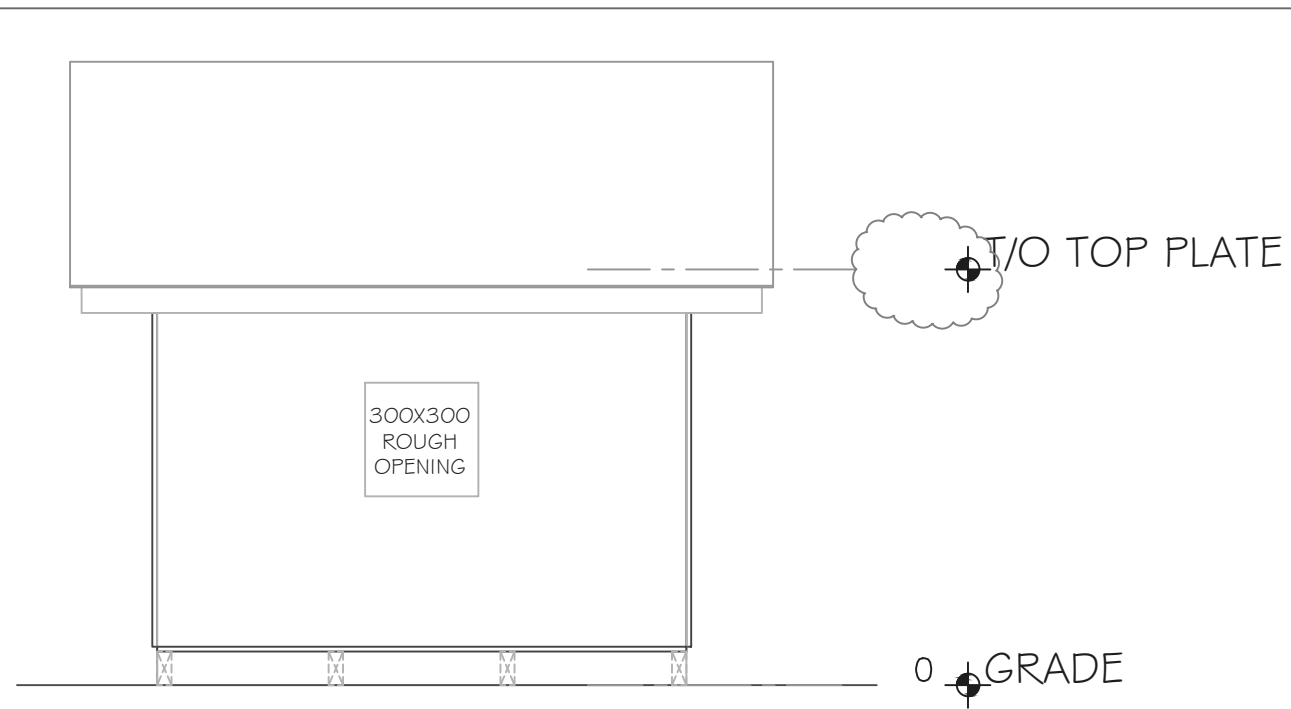
No.	Revision/Issue	Date
1	UPDATE	JAN.25

SKILLS
CANADA

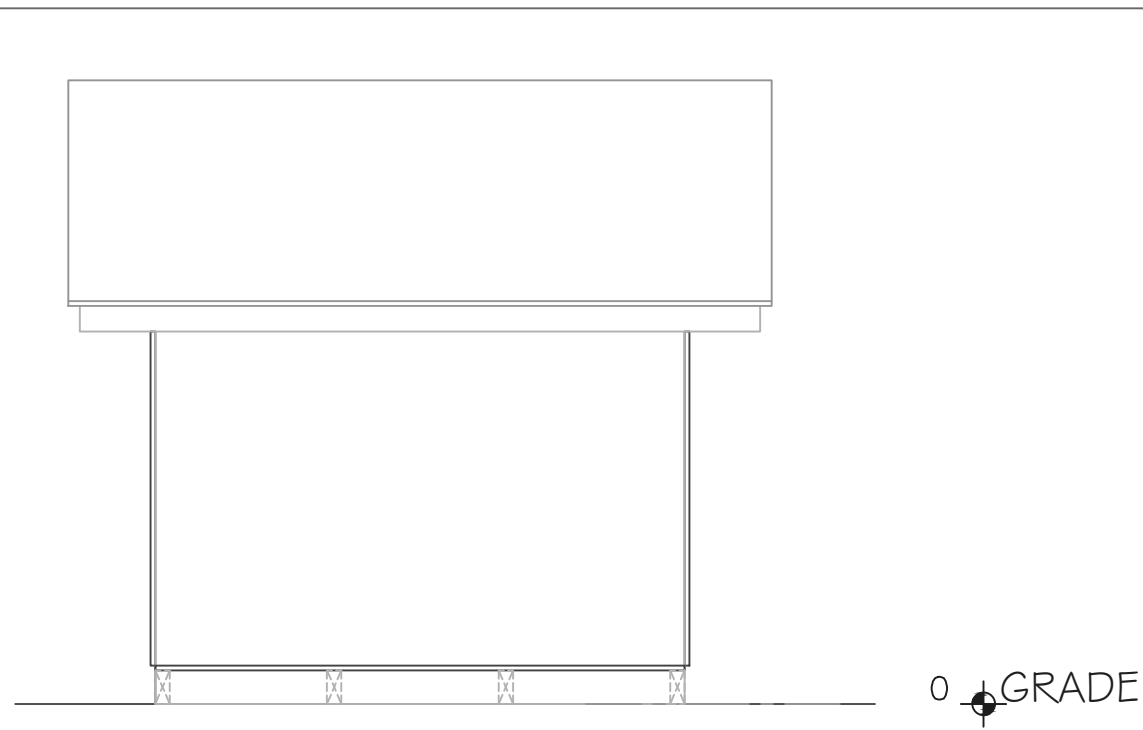
PROVINCIAL
SECONDARY
CARPENTRY

ELEVATIONS

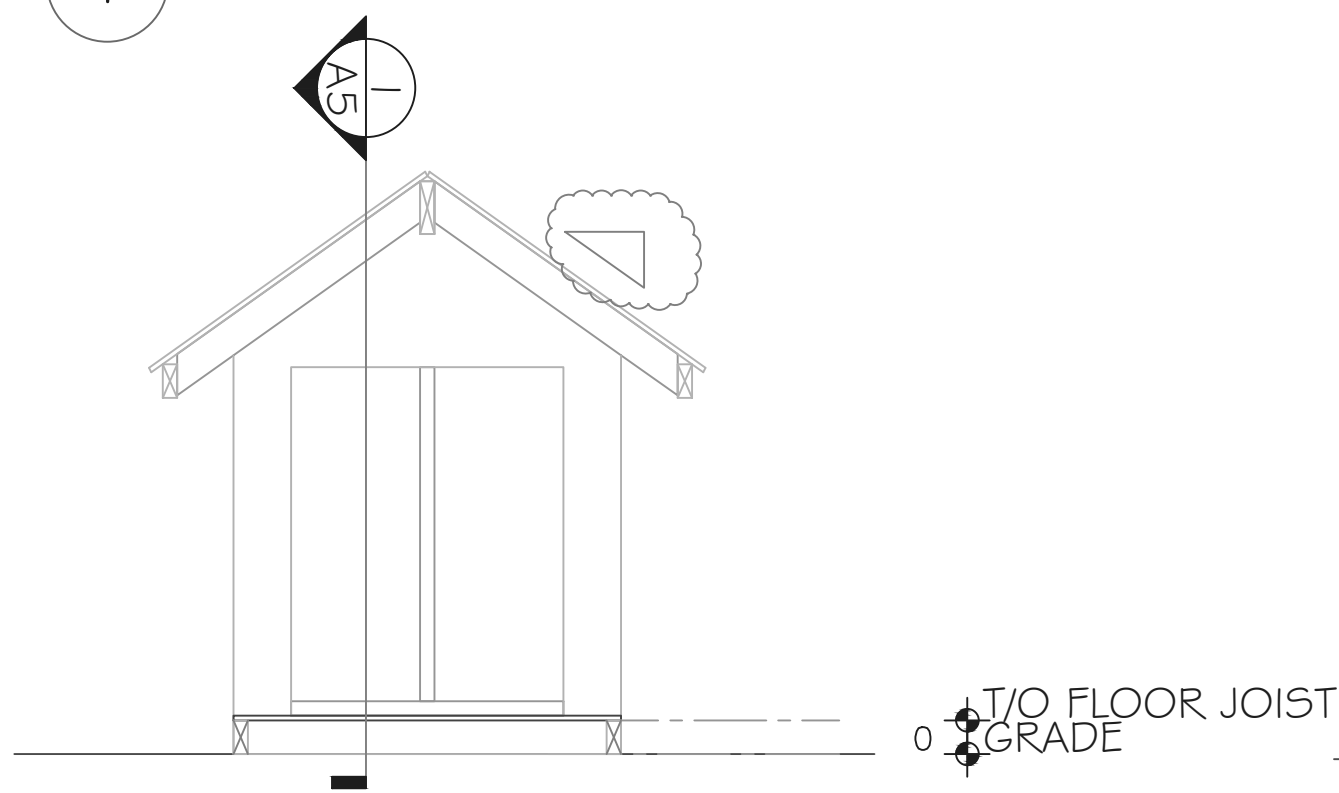
DRAWN BY: DUSTIN OLSEN	SHEET #
DATE: 01/25/2016	A4
SCALE: not to scale	



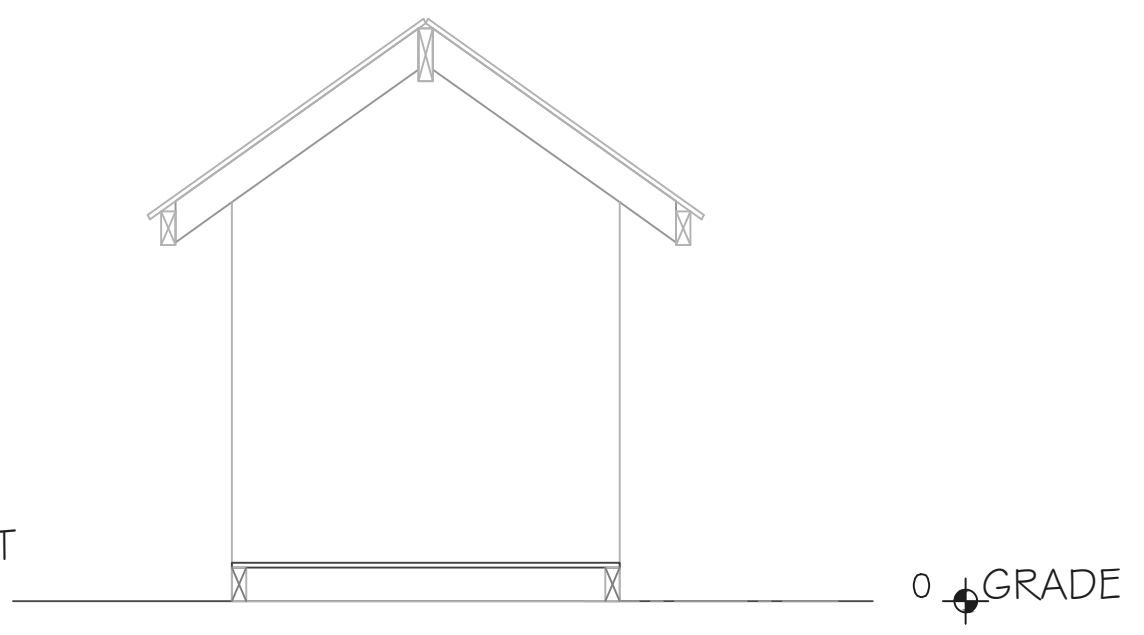
1 SIDE ELEVATION



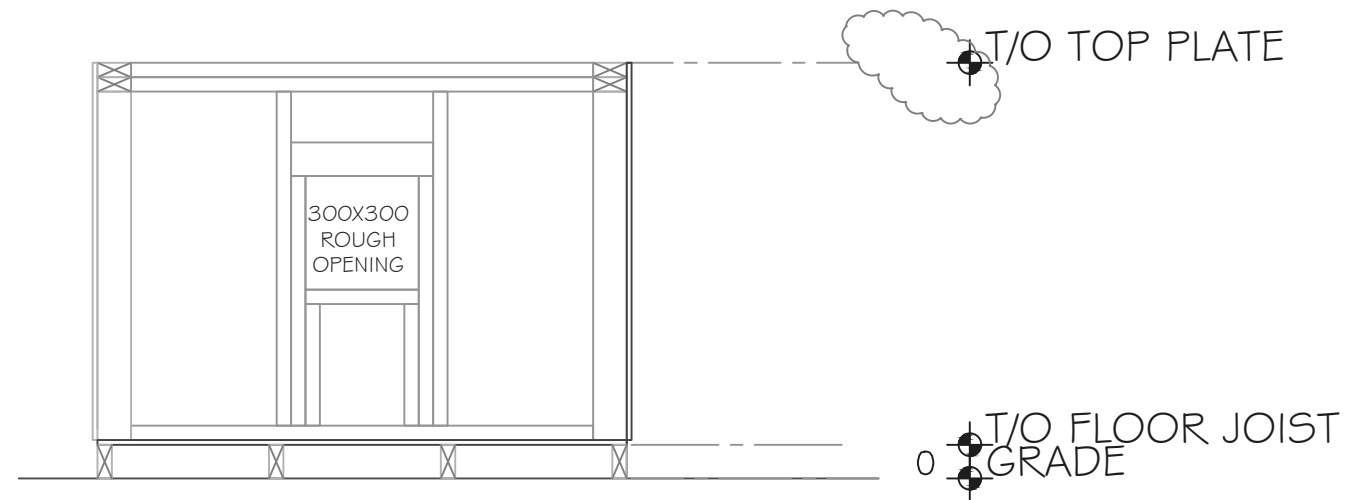
2 SIDE ELEVATION



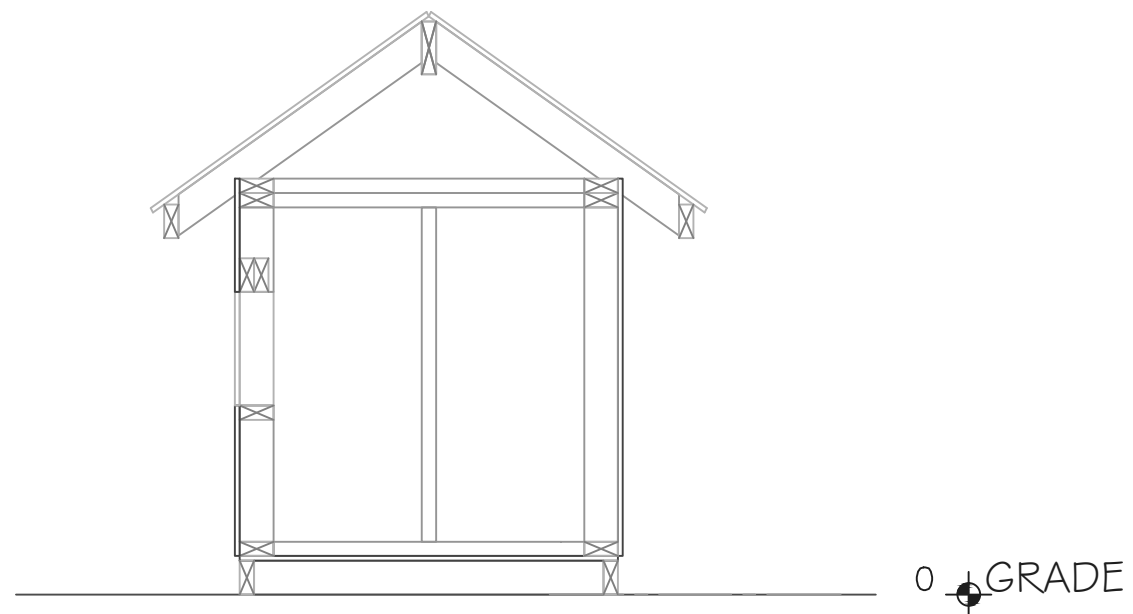
3 FRONT ELEVATION



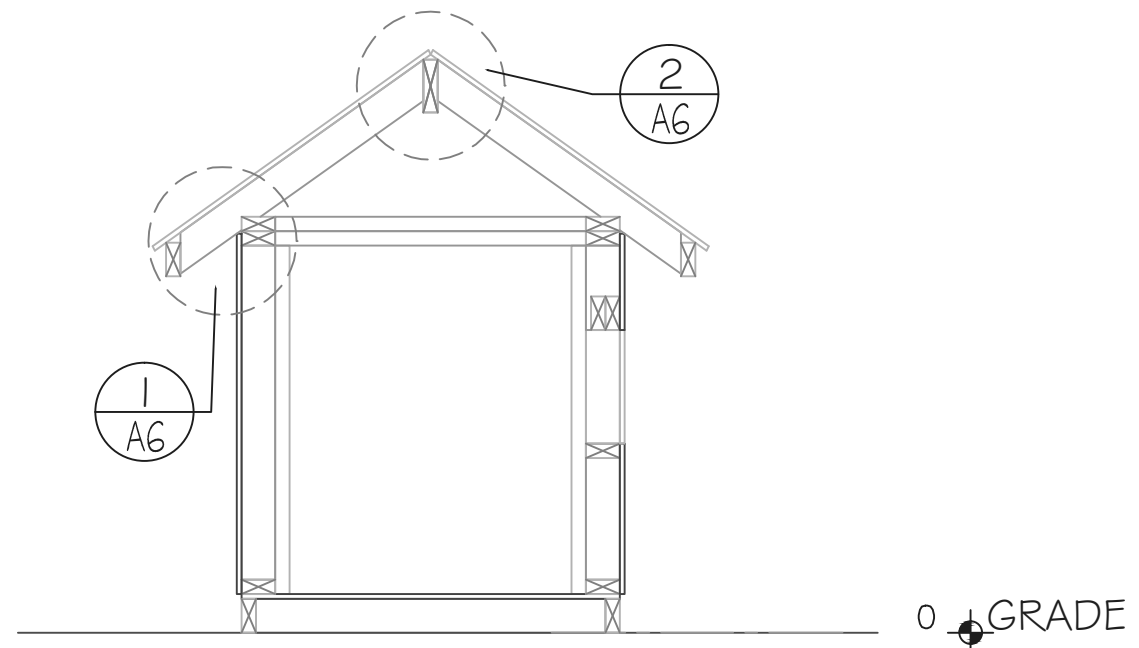
4 REAR ELEVATION



1 SECTION-1



2 SECTION-2



3 SECTION-3

General Notes
FOR EDUCATIONAL
PURPOSE ONLY

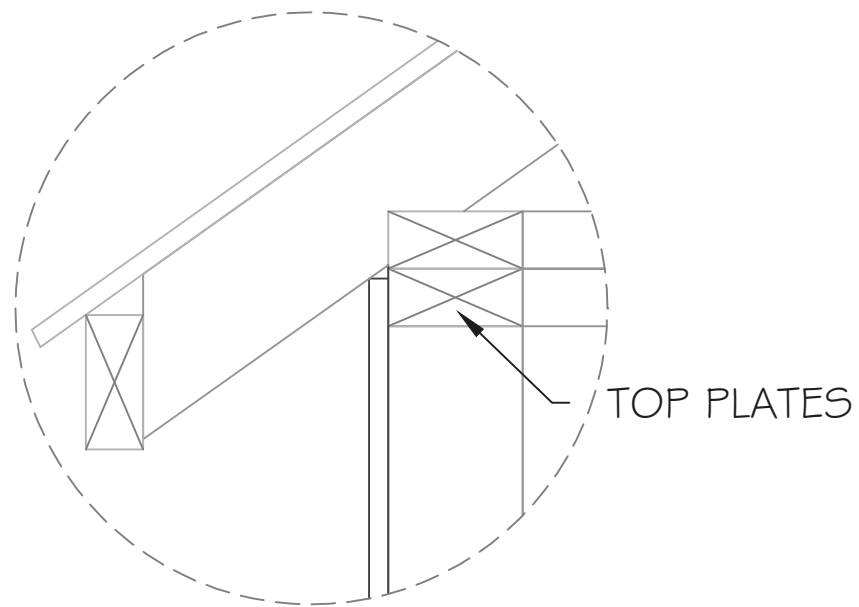
No.	Revision/Issue	Date
1	UPDATE	JAN.25

SKILLS
CANADA

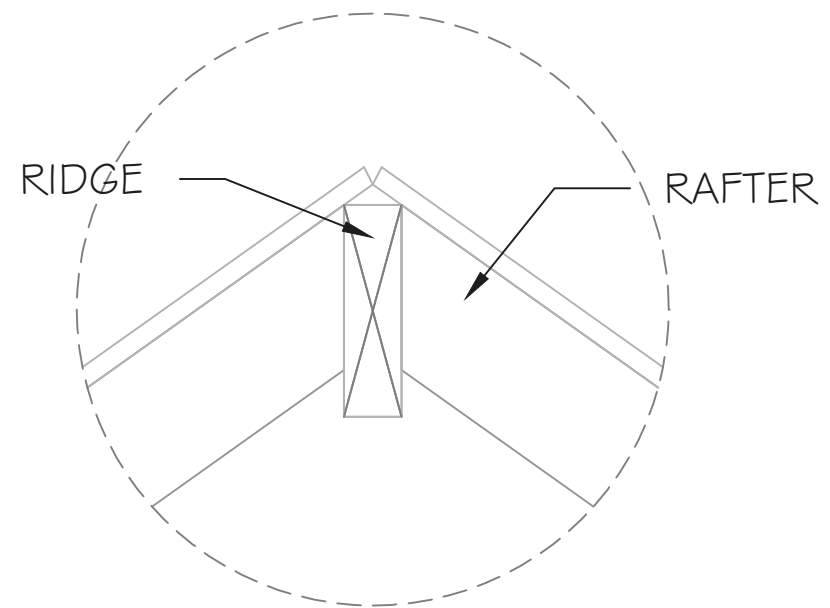
PROVINCIAL
SECONDARY
CARPENTRY

SECTIONS

DRAWN BY: DUSTIN OLSEN	SHEET #
DATE: 01/25/2016	A5
SCALE: not to scale	



① TYP. OVERHANG DETAIL
A6



② RIDGE DETAIL
A6

General Notes
FOR EDUCATIONAL
PURPOSE ONLY

No.	Revision/Issue	Date
1	UPDATE	JAN.25

SKILLS
CANADA

PROVINCIAL
SECONDARY
CARPENTRY

DETAILS

DRAWN BY: DUSTIN OLSEN	SHEET #
DATE: 01/25/2016	A6
SCALE: not to scale	