

General Notes
FOR EDUCATIONAL
PURPOSES ONLY

CONTENTS

- A1 - ISOMETRIC
- A2 - PLANS
- A3 - PLANS
- A4 - ELEVATIONS
- A5 - ELEVATIONS
- A6 - SECTIONS
- A7 - DETAILS
- A8 - DETAILS
- A9 - DETAILS

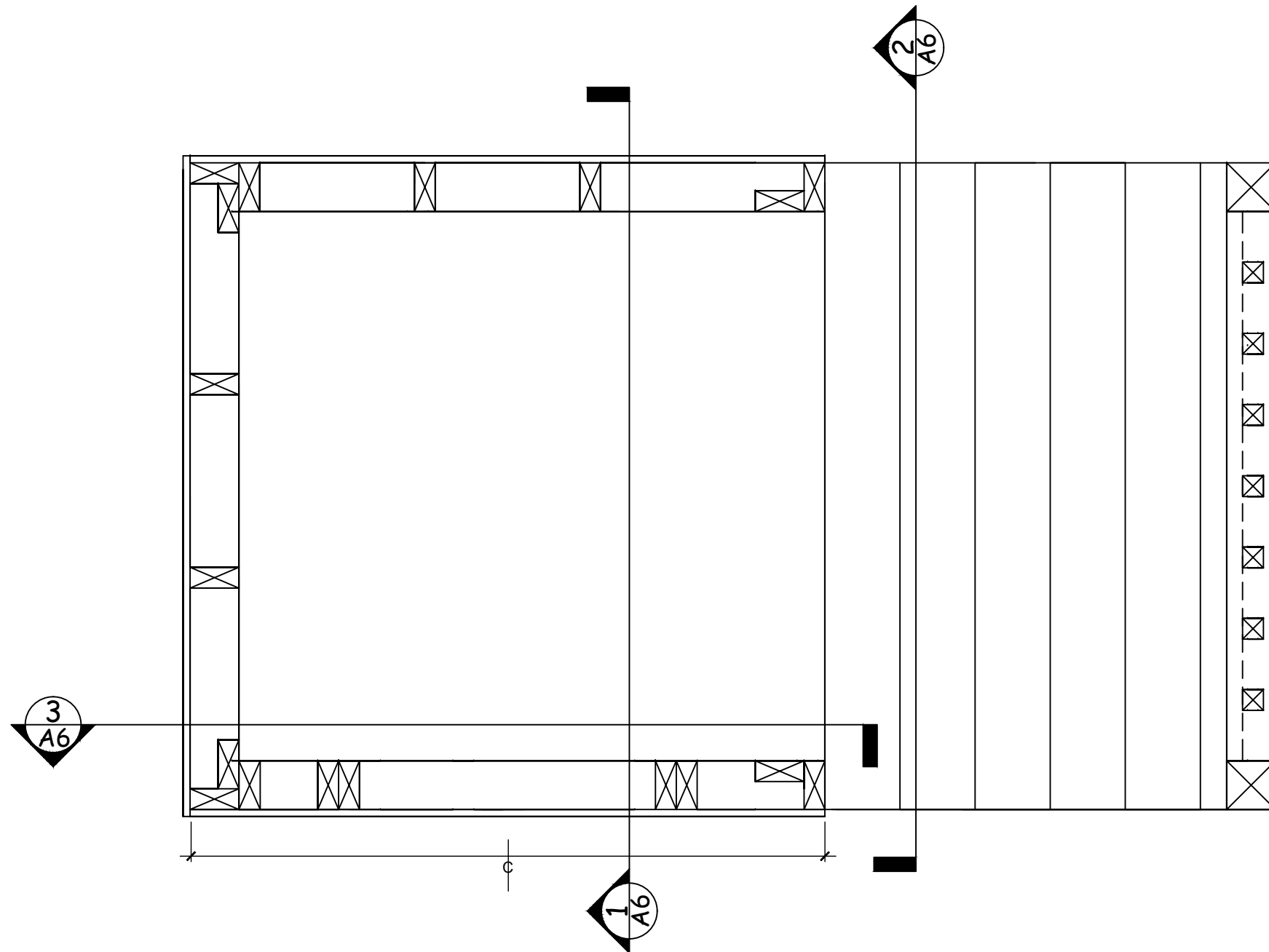
No.	Revision/Issue	DATE
1	UPDATE	MAR.30
2	UPDATE	JAN.26

**SKILLS
CANADA**

PROVINCIAL
POST-SECONDARY
CARPENTRY

ISOMETRIC

DRAWN BY: JACOB OBRIGEWITCH JACOB MAJAK	SHEET # A1
DATE: 3/30/2019	
SCALE: NOT TO SCALE	



1 FLOOR PLAN

General Notes
FOR EDUCATIONAL
PURPOSES ONLY

1) ALL SHEATHING
TO BE VERIFIED ON
SITE.

2) ALL DIMENSIONS
TO FRAMING

3) CENTER WINDOW
FROM OUTSIDE
WALL

No.	Revision/Issue	DATE
1	UPDATE	MAR.30
2	UPDATE	JAN.26

**SKILLS
CANADA**

PROVINCIAL
POST-SECONDARY
CARPENTRY

PLANS

DRAWN BY: JACOB OBRIGEWITCH JACOB MAJAK	SHEET # A2
DATE: 3/30/2019	
SCALE: NOT TO SCALE	

General Notes
FOR EDUCATIONAL
PURPOSES ONLY

- 1) 38 X 140 RIDGE
- 2) 38 x 89 COMMON RAFTERS
- 3) 38 X 140 HIP RAFTER

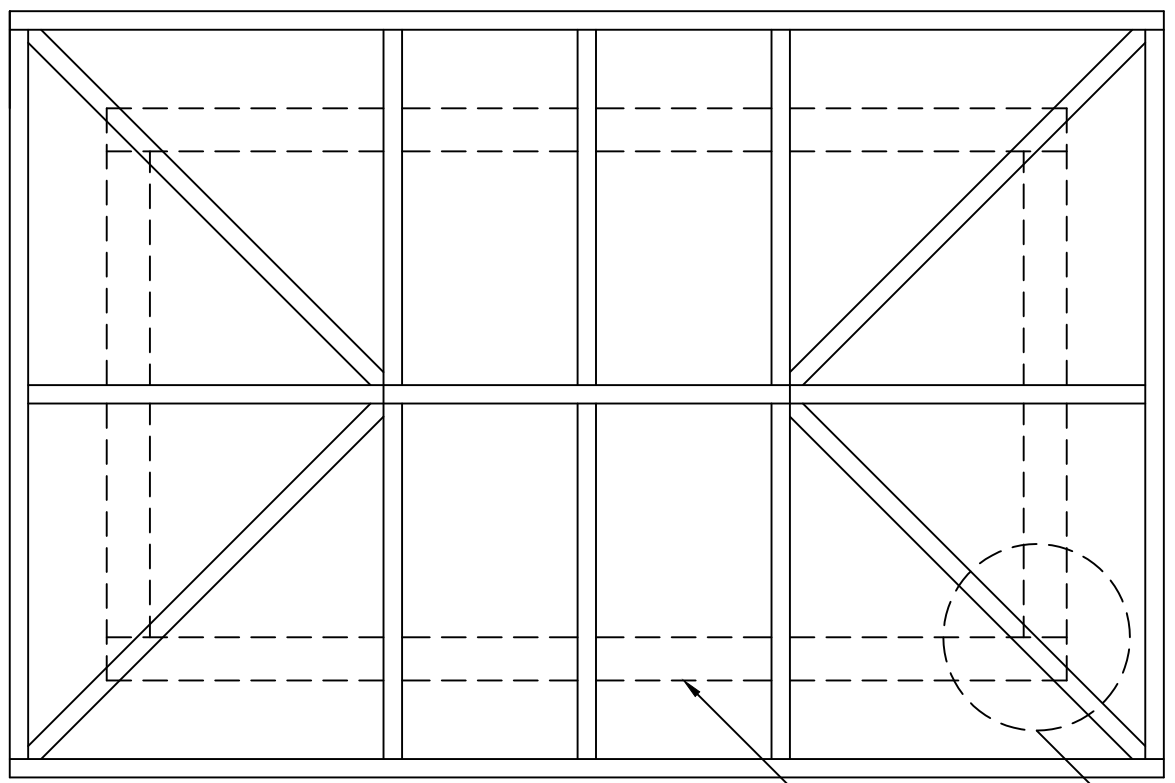
No.	Revision/Issue	DATE
1	UPDATE	MAR.30
2	UPDATE	JAN.26

**SKILLS
CANADA**

PROVINCIAL
POST-SECONDARY
CARPENTRY

PLANS

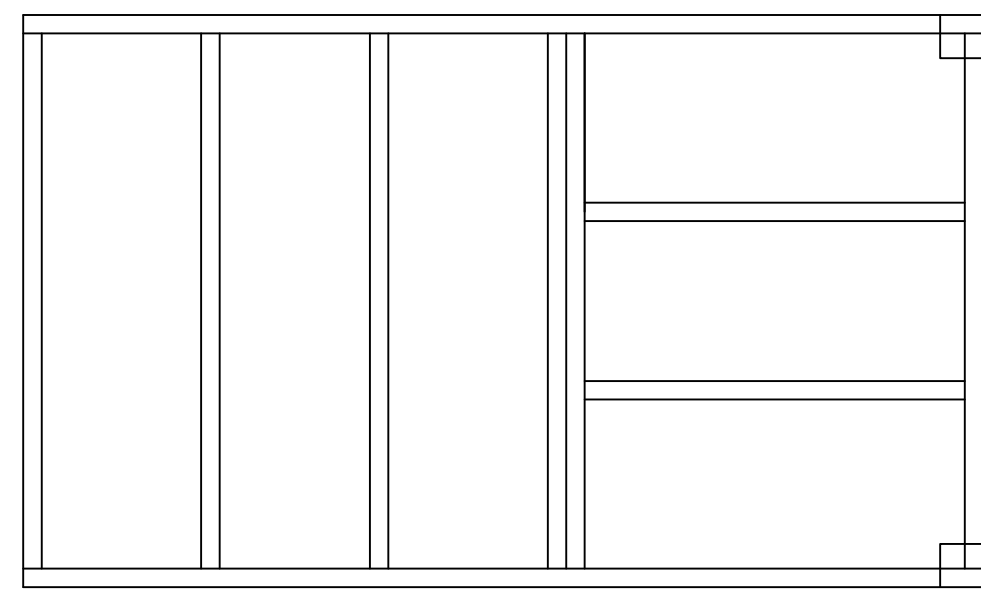
DRAWN BY: JACOB OBRIGEWITCH JACOB MAJAK	SHEET # A3
DATE: 3/30/2019	
SCALE: NOT TO SCALE	



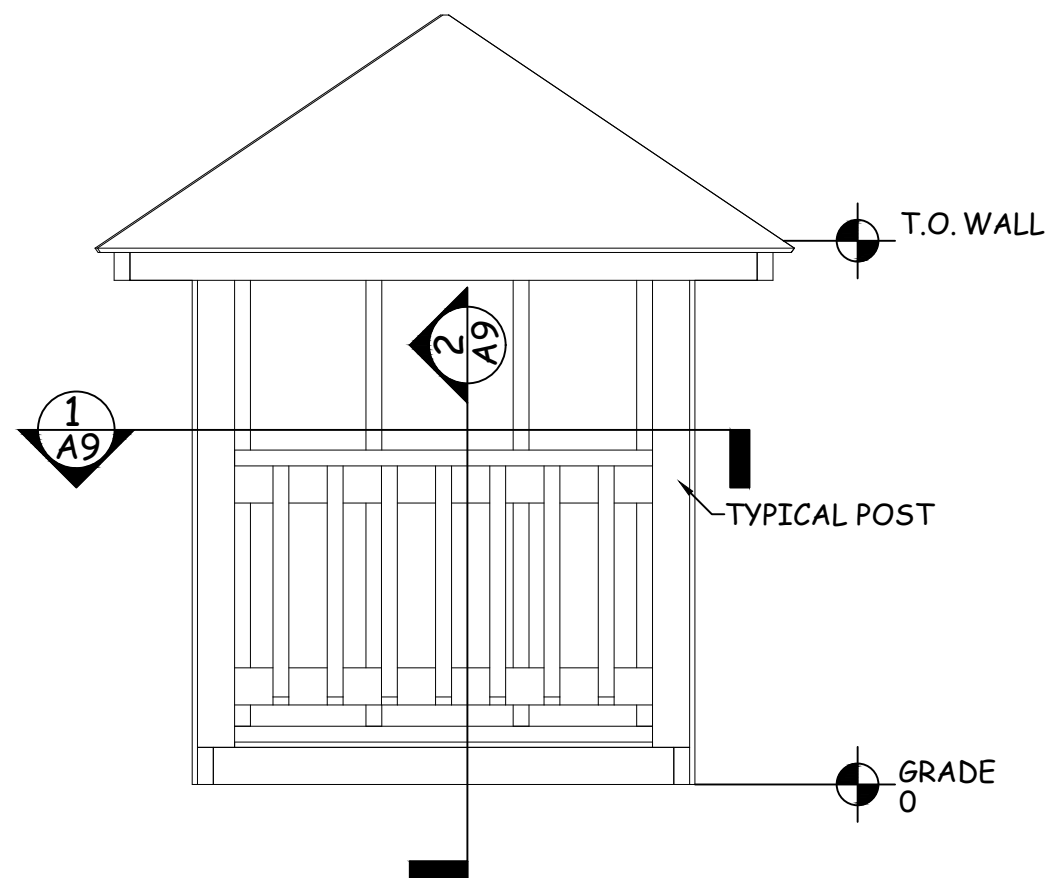
TOP PLATES

4A&B
A6

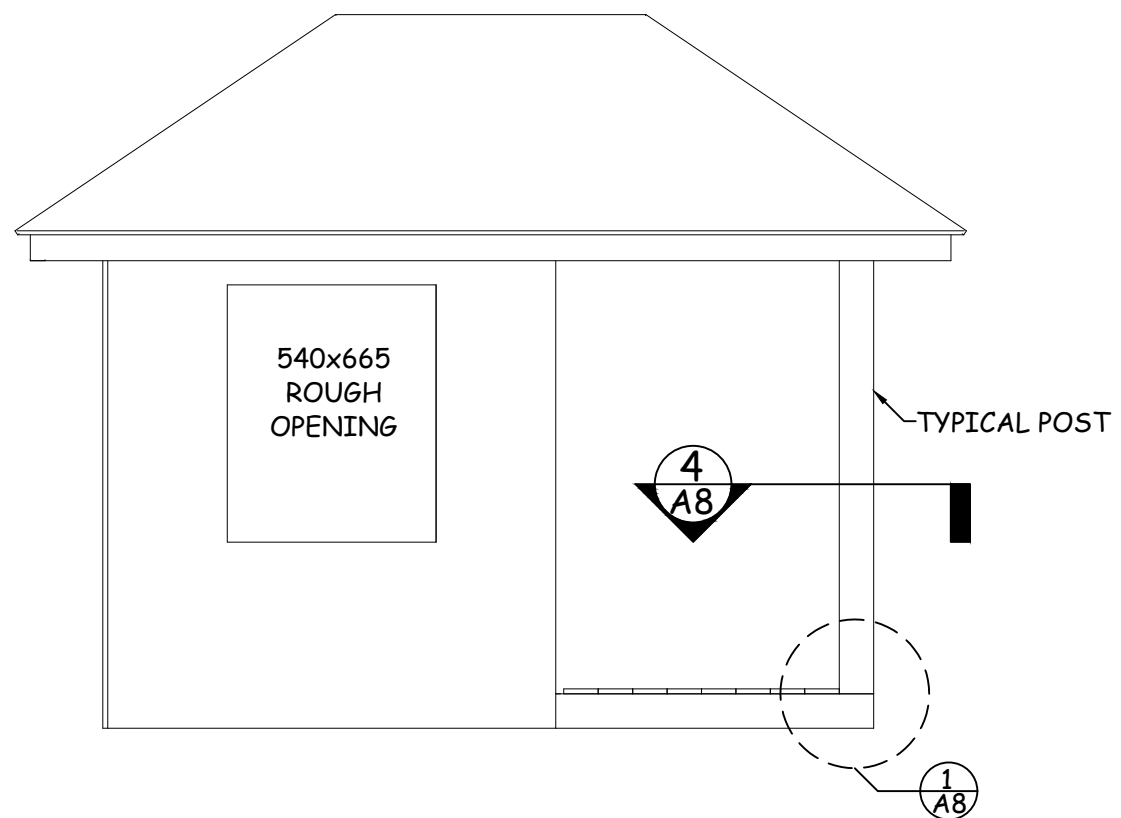
1 ROOF FRAMING PLAN



2 FLOOR JOIST PLAN



1 FRONT-ELEVATION



2 LEFT SIDE-ELEVATION

General Notes
FOR EDUCATIONAL
PURPOSES ONLY

NO SHEATHING TO
BE APPLIED TO
ROOF.

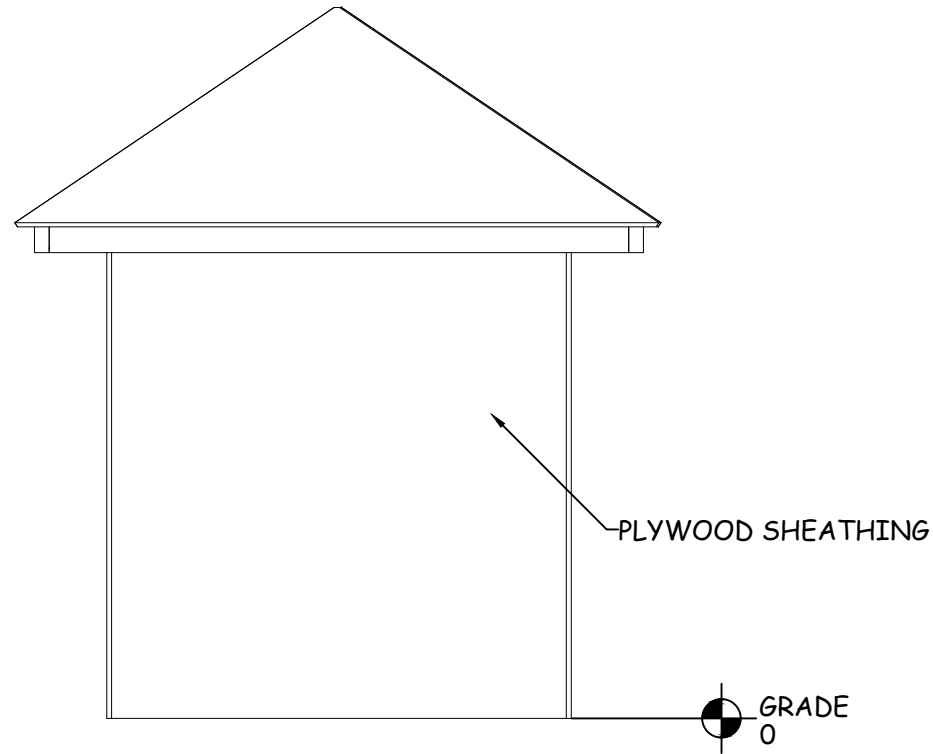
No.	Revision/Issue	DATE
1	UPDATE	MAR.30
2	UPDATE	JAN.26

**SKILLS
CANADA**

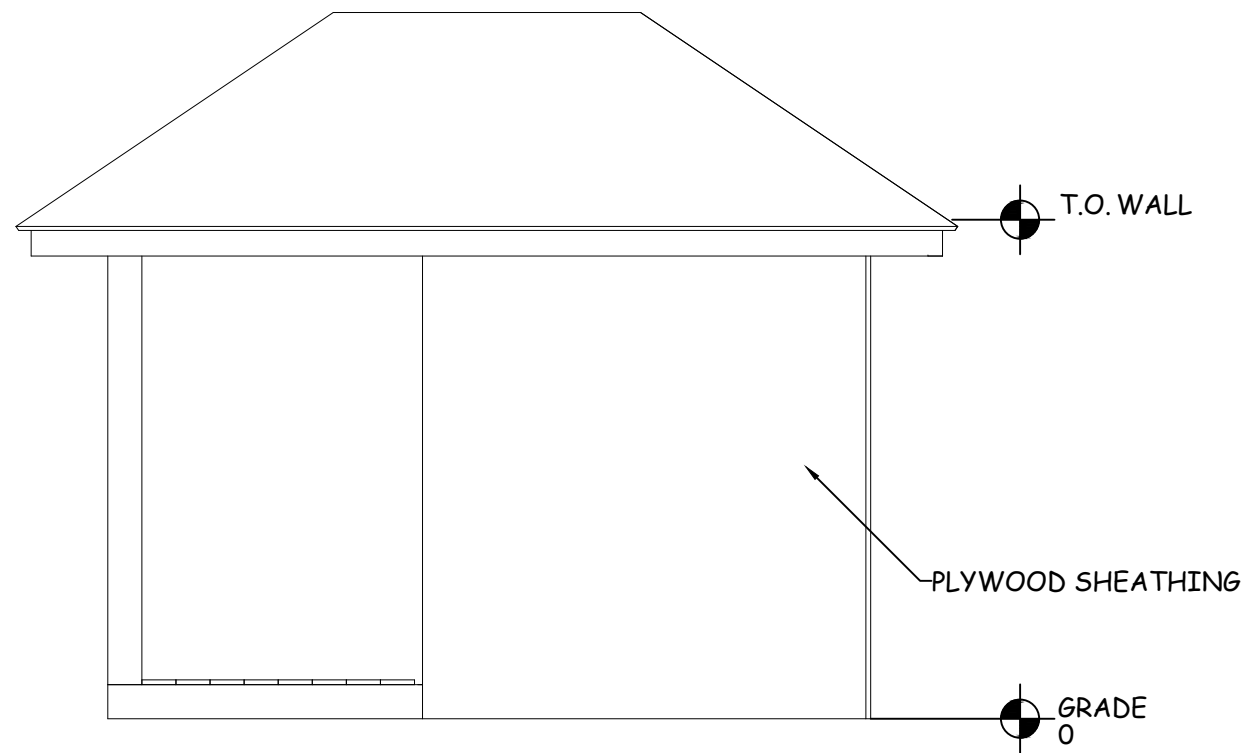
PROVINCIAL
POST-SECONDARY
CARPENTRY

ELEVATIONS

DRAWN BY: JACOB OBRIGEWITCH JACOB MAJAK	SHEET # A4
DATE: 3/30/2019	
SCALE: NOT TO SCALE	



1 REAR-ELEVATION



2 RIGHT SIDE-ELEVATION

General Notes
FOR EDUCATIONAL
PURPOSES ONLY

NO SHEATHING TO
BE APPLIED TO
ROOF.

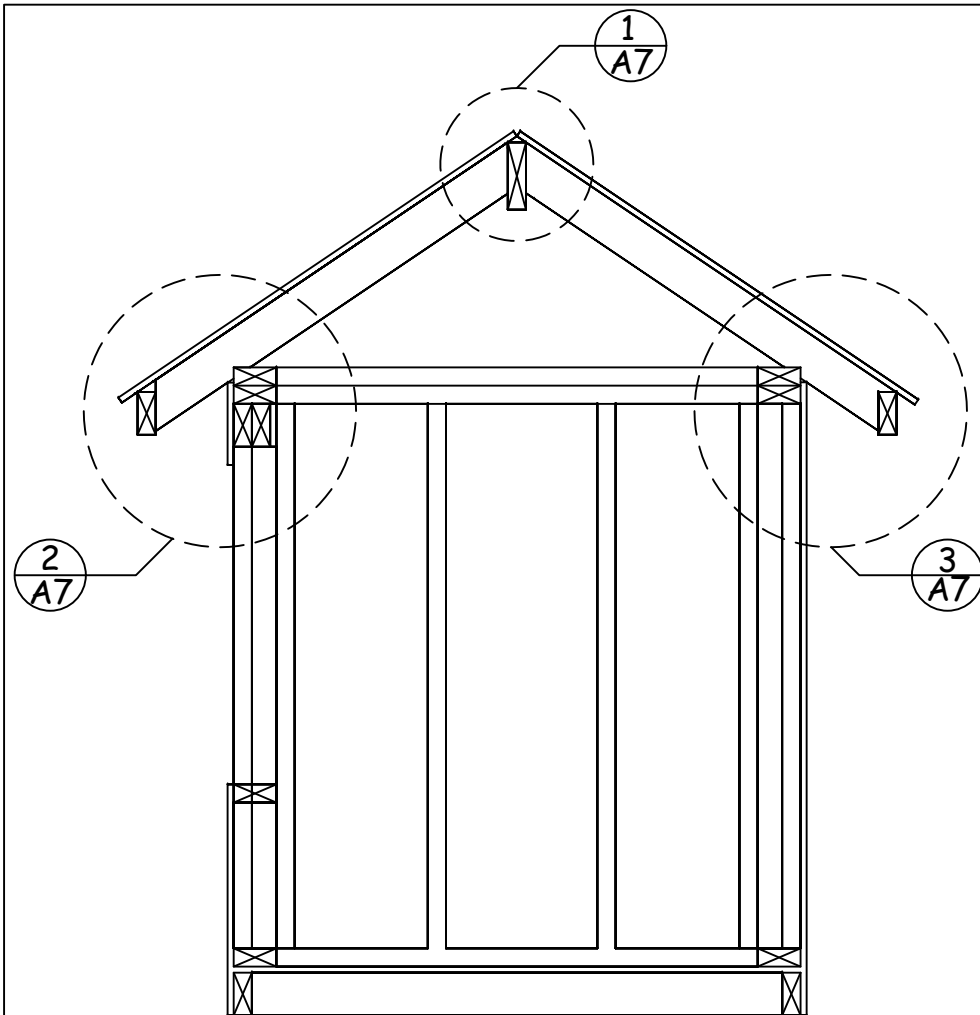
No.	Revision/Issue	DATE
1	UPDATE	MAR.30
2	UPDATE	JAN.26

**SKILLS
CANADA**

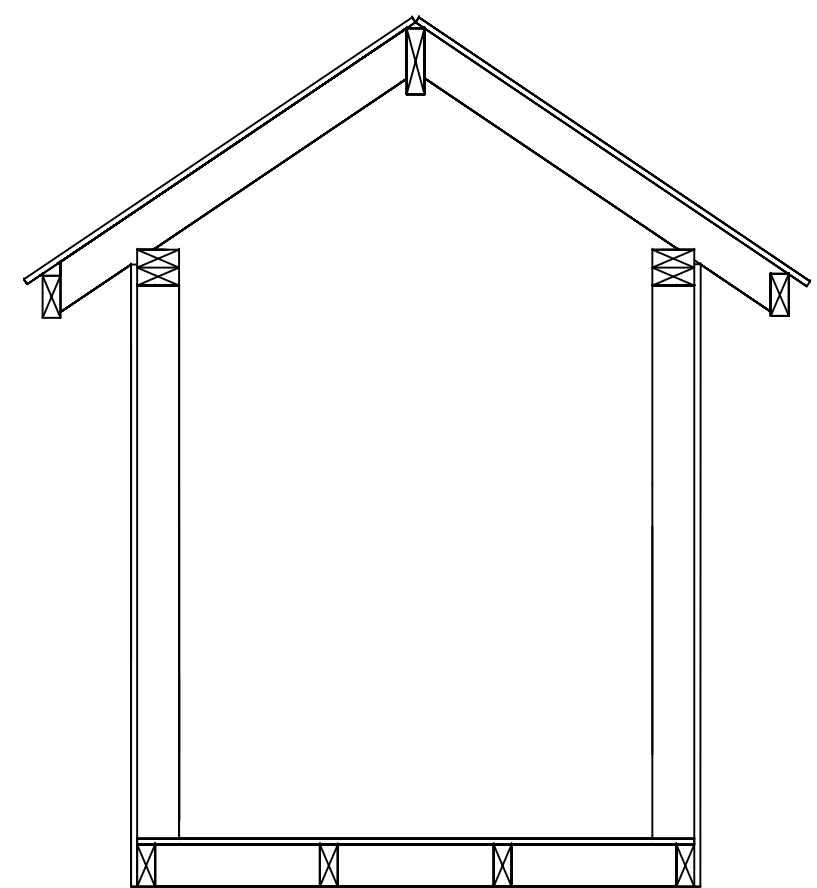
PROVINCIAL
POST-SECONDARY
CARPENTRY

ELEVATIONS

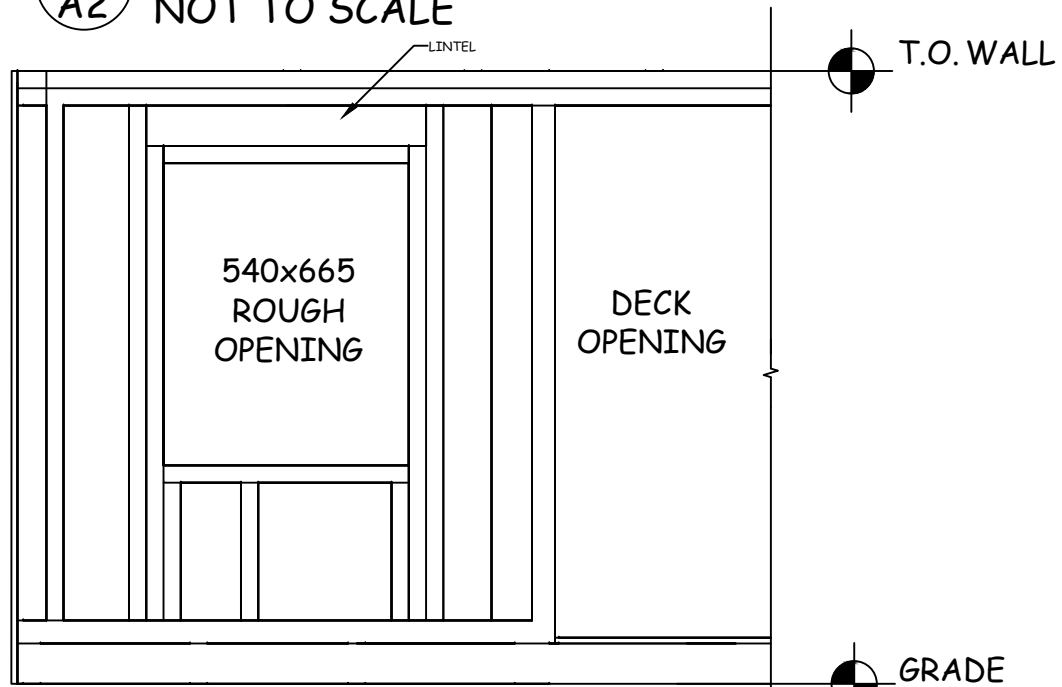
DRAWN BY: JACOB OBRIGEWITCH JACOB MAJAK	SHEET # A5
DATE: 3/30/2019	
SCALE: NOT TO SCALE	



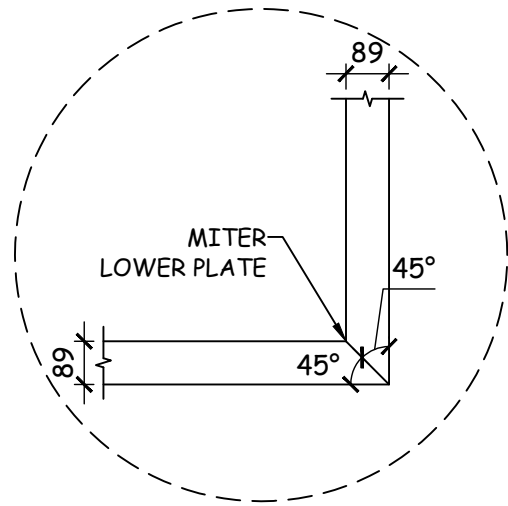
1 SECTION 1
A2 NOT TO SCALE



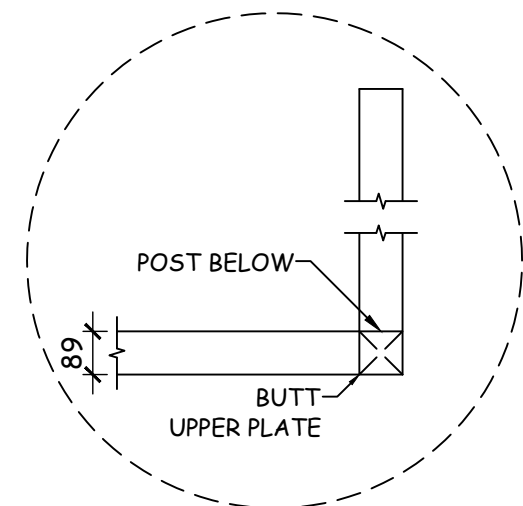
2 SECTION 2
A2 (EXCLUDING BACK WALL)
NOT TO SCALE



3 SECTION 3
A2 NOT TO SCALE



4A PLAN OF LOWER TOP PLATE
A3 CONNECTION AT POSTS
NOT TO SCALE



4A PLAN OF UPPER TOP PLATE
A3 CONNECTION AT POSTS
NOT TO SCALE

General Notes
FOR EDUCATIONAL PURPOSES ONLY

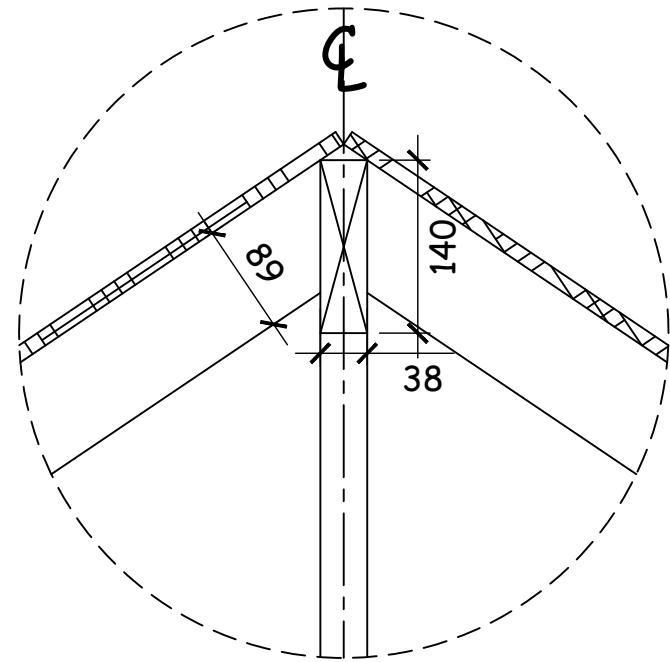
No.	Revision/Issue	DATE
1	UPDATE	MAR.30
2	UPDATE	JAN.26

SKILLS CANADA

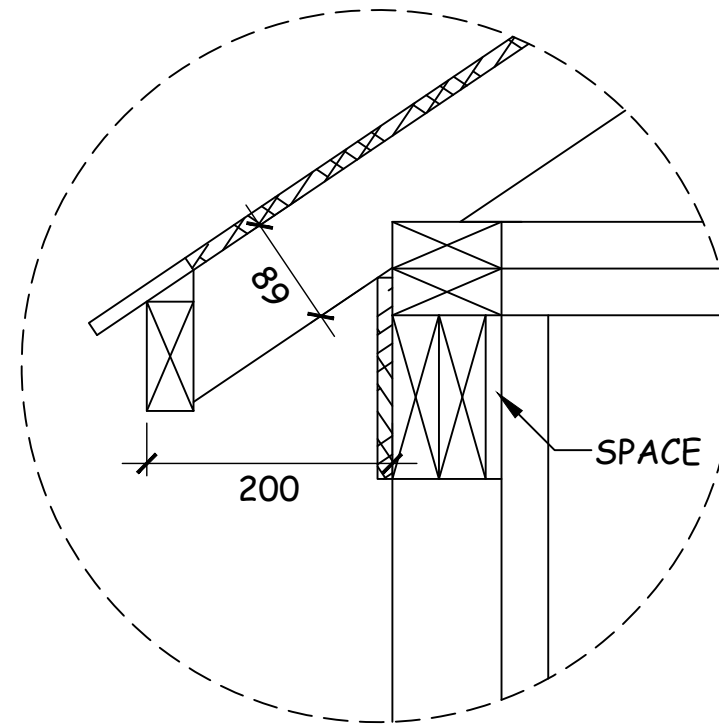
PROVINCIAL POST-SECONDARY CARPENTRY

SECTIONS

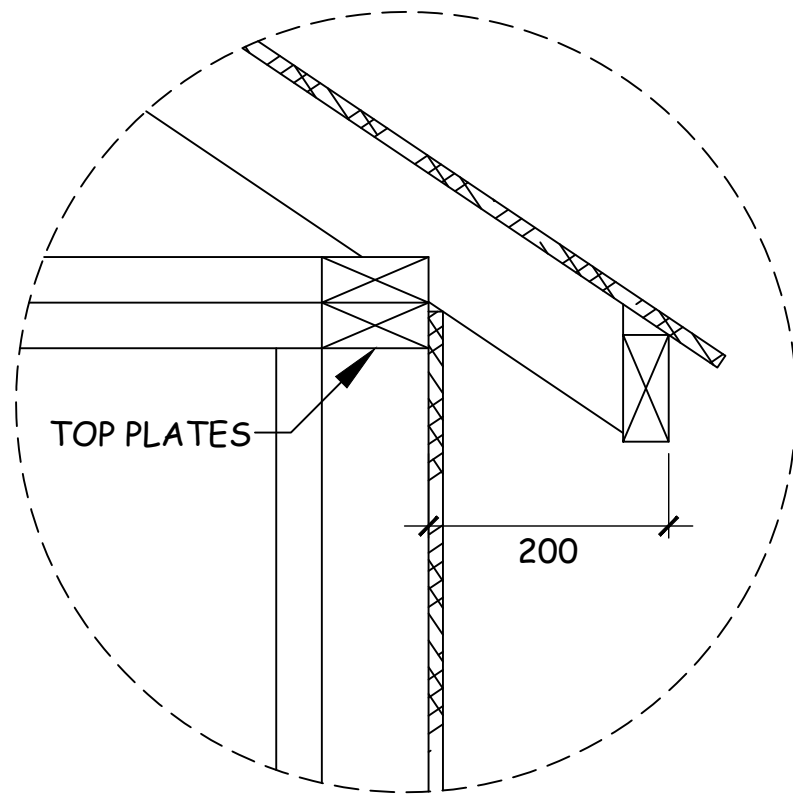
DRAWN BY: JACOB OBRIGEWITCH JACOB MAJAK	SHEET # A6
DATE: 3/30/2019	
SCALE: NOT TO SCALE	



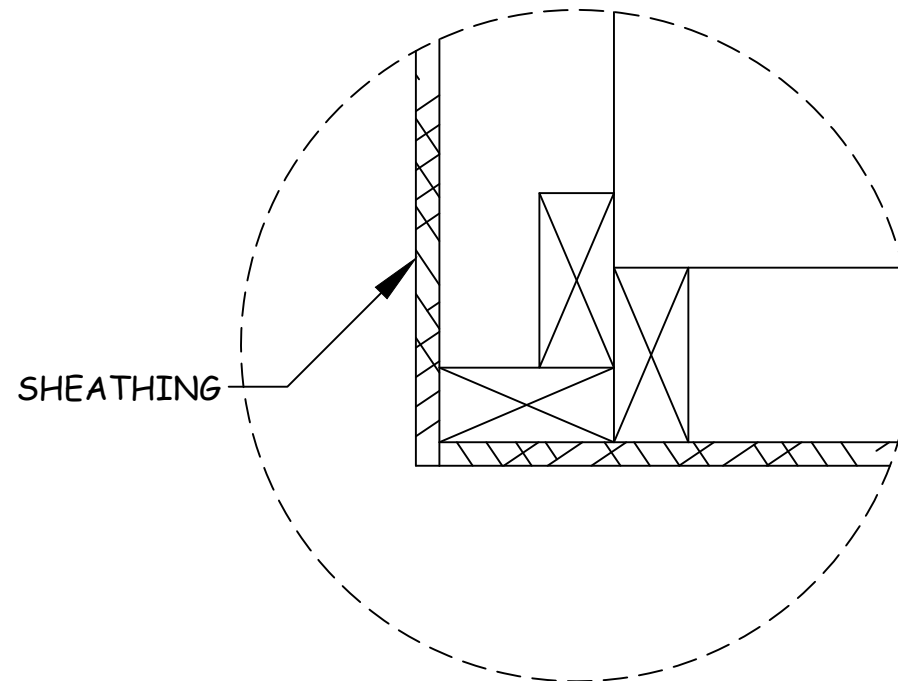
1 FLOOR JOIST PLAN
A6 TYP. AT EACH END



2 EAVE DETAIL @ LINTEL
A6



3 FLOOR JOIST PLAN
A6



4 TYP. WALL CORNER
A2

General Notes
FOR EDUCATIONAL
PURPOSES ONLY

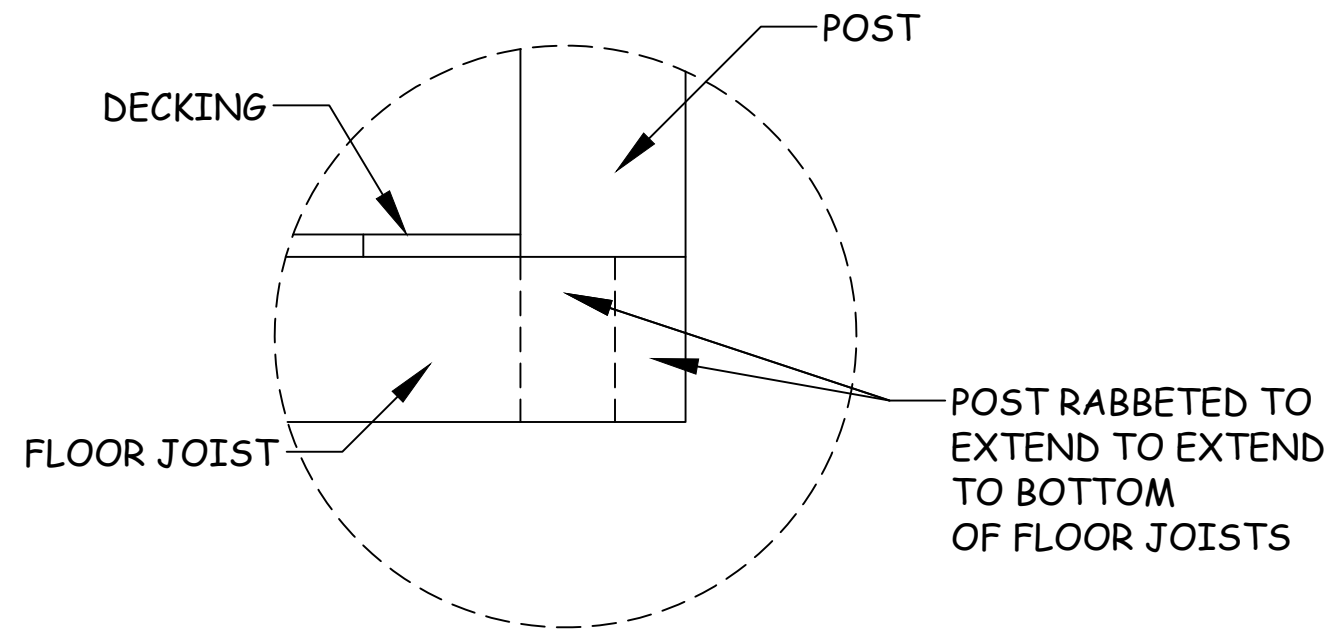
No.	Revision/Issue	DATE
1	UPDATE	MAR.30
2	UPDATE	JAN.26

SKILLS
CANADA

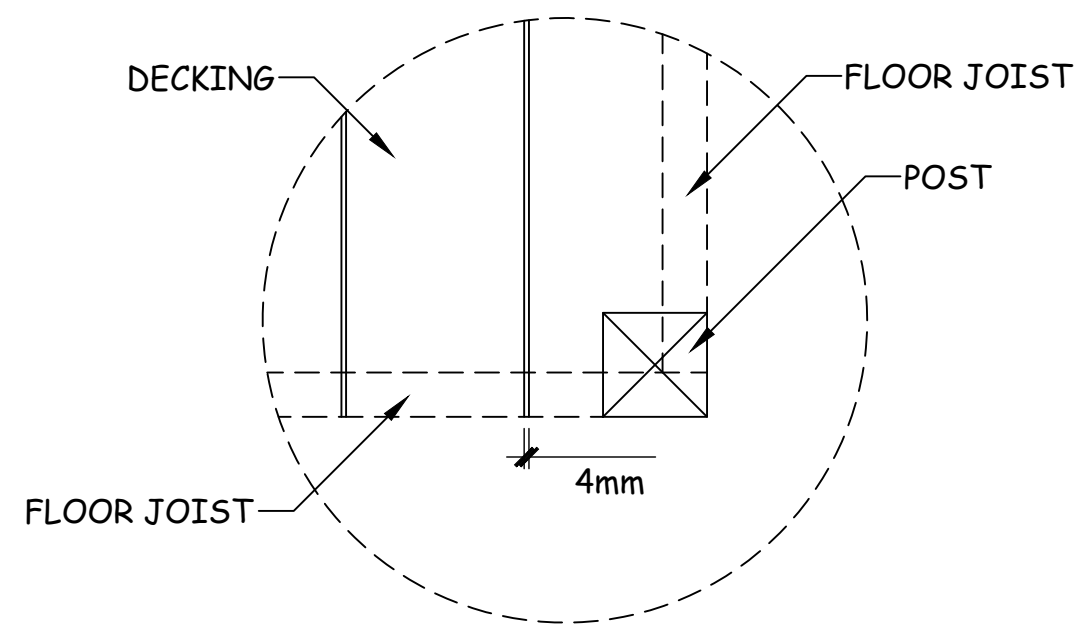
PROVINCIAL
POST-SECONDARY
CARPENTRY

DETAILS

DRAWN BY: JACOB OBRIGEWITCH JACOB MAJAK	SHEET # A7
DATE: 3/30/2019	
SCALE: NOT TO SCALE	



1
A4 FLOOR JOISTS AT FRONT POSTS



2
A3 DECKING AT FLOOR JOISTS

General Notes
FOR EDUCATIONAL
PURPOSES ONLY

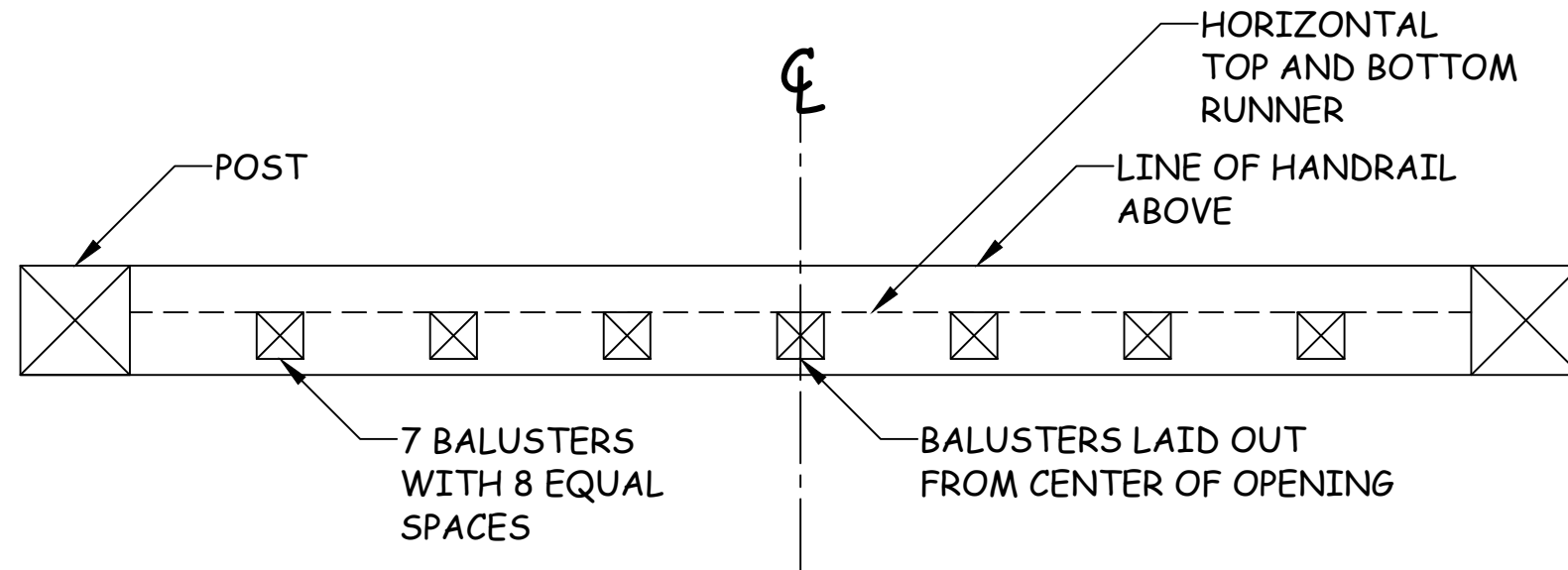
No.	Revision/Issue	DATE
1	UPDATE	MAR.30
2	UPDATE	JAN.26

**SKILLS
CANADA**

PROVINCIAL
POST-SECONDARY
CARPENTRY

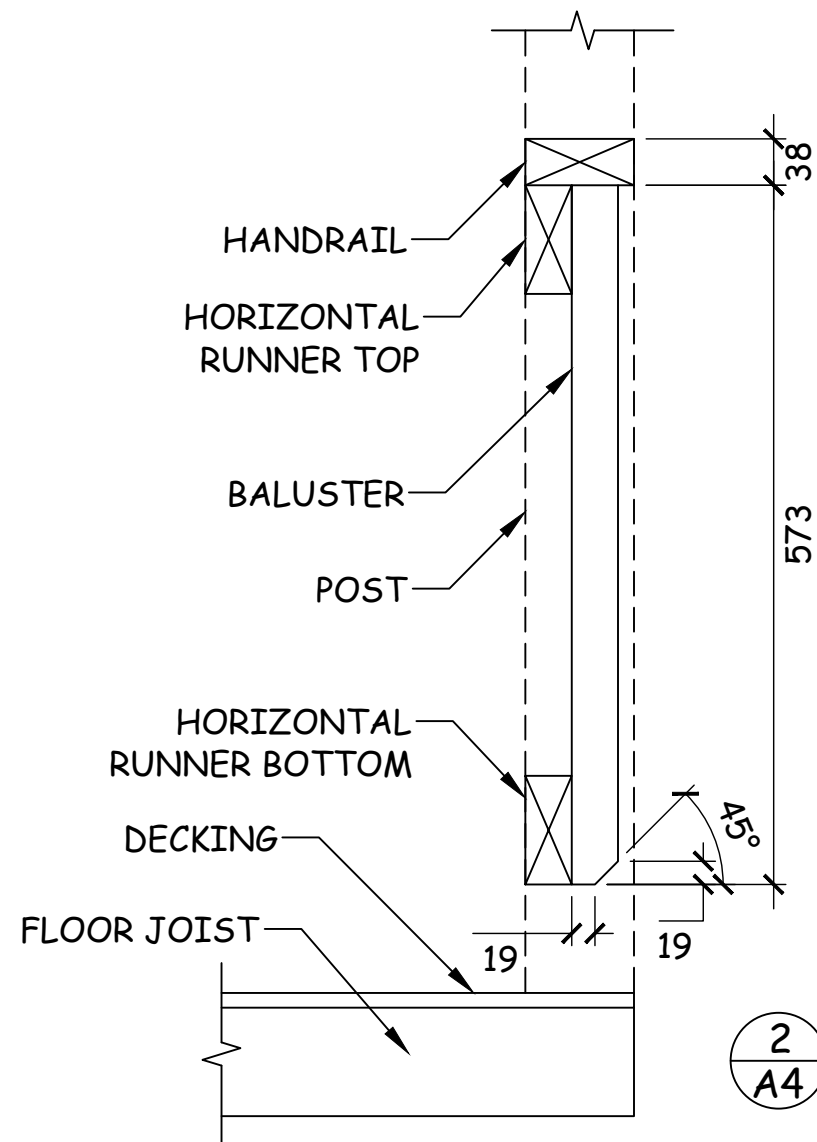
DETAILS

DRAWN BY: JACOB OBRIGEWITCH JACOB MAJAK	SHEET # A8
DATE: 3/30/2019	
SCALE: NOT TO SCALE	



1
A4

FRONT RAILING PLAN



2
A4

BALUSTER SECTION

General Notes
FOR EDUCATIONAL
PURPOSES ONLY

No.	Revision/Issue	DATE
1	UPDATE	MAR.30
2	UPDATE	JAN.26

**SKILLS
CANADA**

PROVINCIAL
POST-SECONDARY
CARPENTRY

DETAILS

DRAWN BY: JACOB OBRIGEWITCH JACOB MAJAK	SHEET # A9
DATE: 3/30/2019	
SCALE: NOT TO SCALE	